

Key digital®

The Experts in Digital Video Technology and Solutions™

Key digital®
CONNECT CONTROL™

System Integration Examples



Key Digital®, The Experts in Digital Video Technology and Solutions™, are proud to announce their collaboration with some of the industry's leading control companies: AMX®, Control4®, HomeLogic, Life|ware™, RTI®, Universal® and others.

The Key Digital partner program is designed to establish a tightly integrated network of organizations fueled by a common goal of promoting consumer electronic device interoperability in automation systems. Key Digital's alliance with these major brands will enable the use of audio and video processing, switching and distribution equipment while maintaining home automation control and ease of use for which the control companies are known for.

Priority number one since Key Digital's collaboration with AMX®, Control4®, HomeLogic, Life|ware™, RTI®, Universal® and others, was to bring forth a full system solution. With the joint effort of our respectable partners Key Digital had designed various training courses in which a custom installer can master the skills of controlling their switching, processing and distributing applications. The classes are set up in a way that will allow you to not only learn the theory and programming aspect but also understand the application from start to finish by actually replicating a real System Design applications in Key Digital's very own hands-on training facility.

Following are System Design integration examples created by the Key Digital® Systems Design Group (SDG™), our in-house expert design team, illustrating effortless Control System integration with Key Digital® products.

Retrofit has Never Been this Easy



Control4® helps you take automation to the broad market by expanding your client base to include people with existing homes (more than 99% of the market).

Our products are designed to be easily installed in both new and existing homes, and our technology can be wired or wireless so that you don't need to tear open walls and remodel your client's entire home to install a Control4® System.

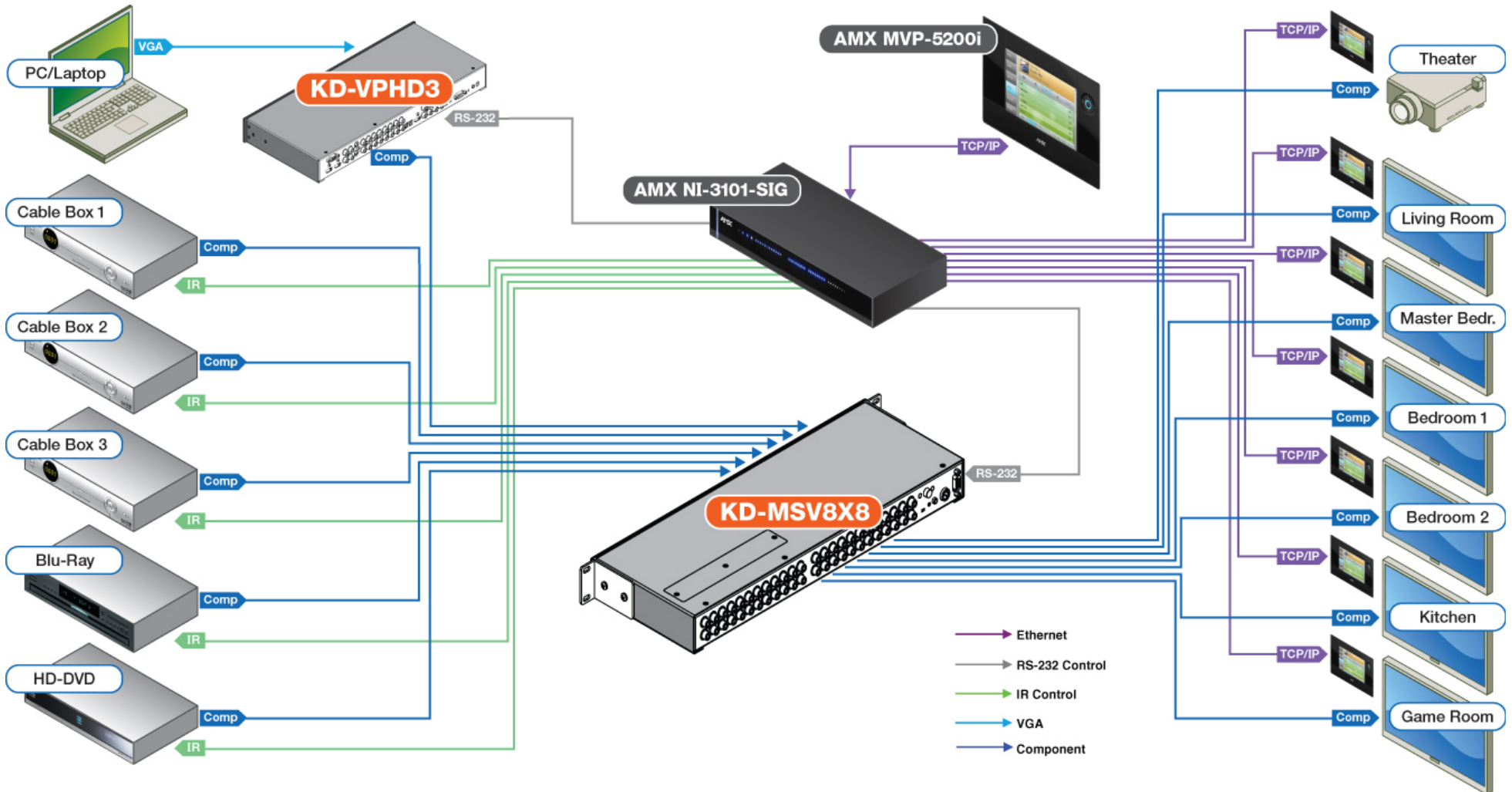
You can install and program a complete Control4® system in a matter of hours freeing your crews up for additional installations.

Visit us at www.control4.com to learn how to bring Everyday Easy™ to everyone.

Control4®
Everyday Easy™

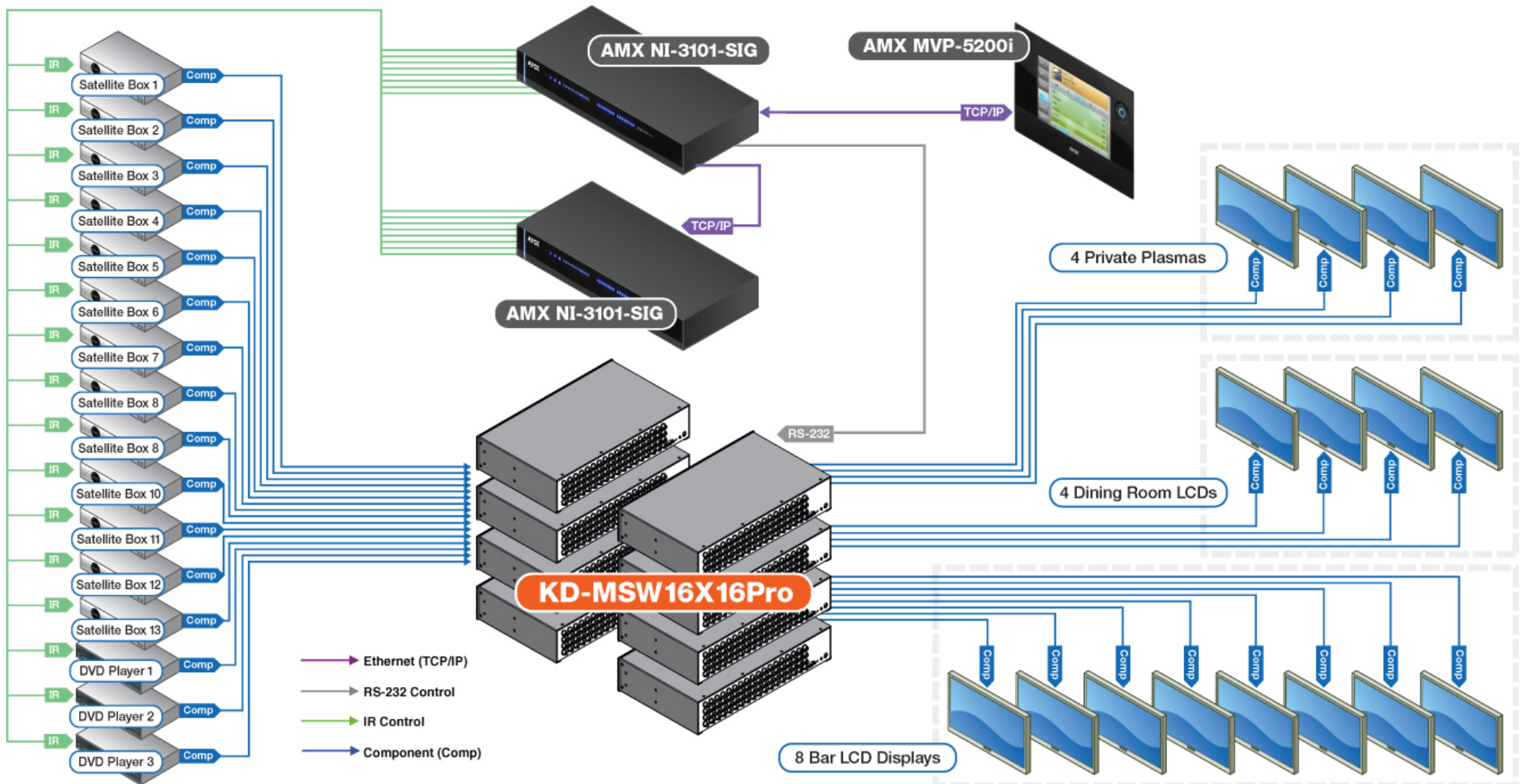


Residential SDG



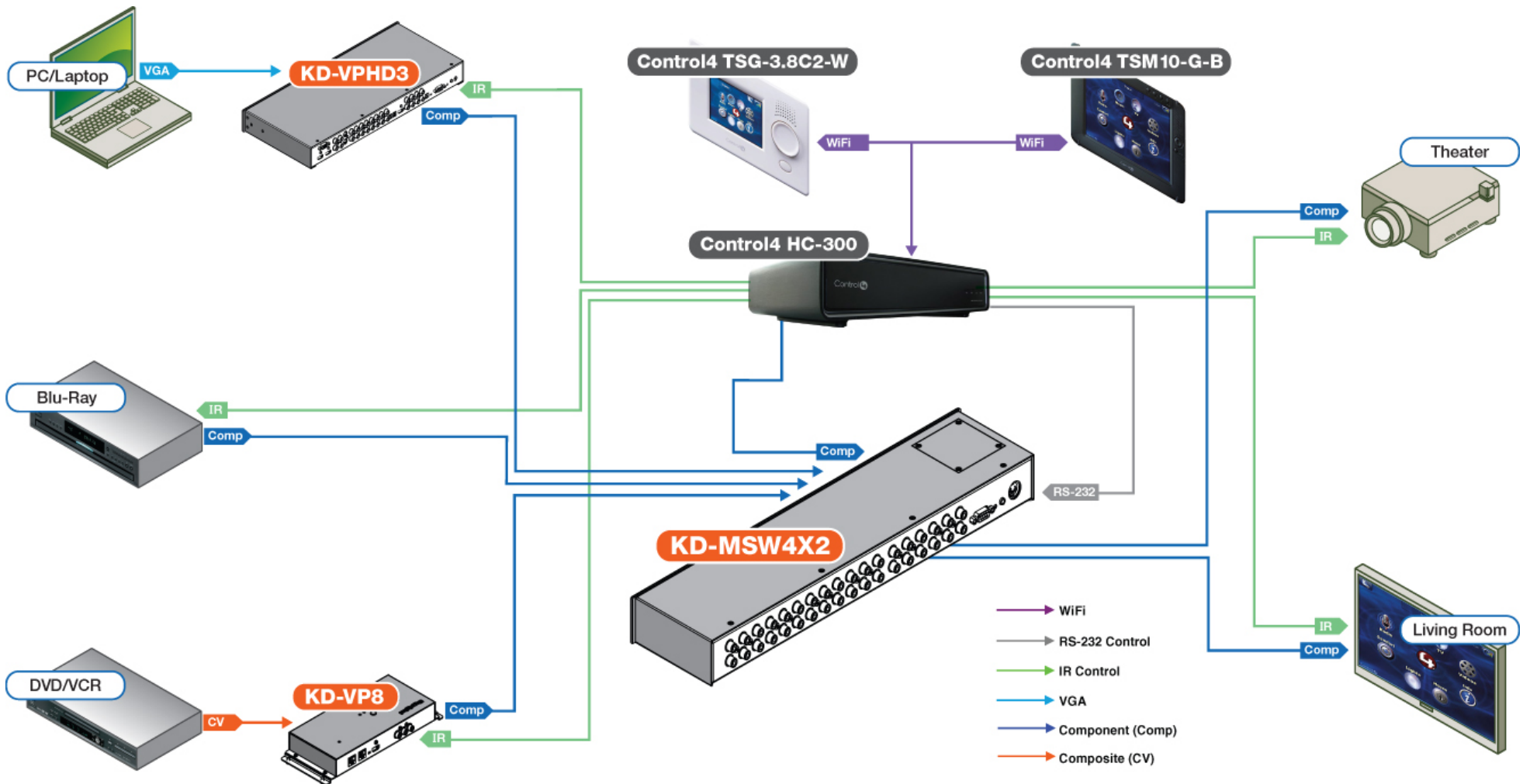


Commercial SDG



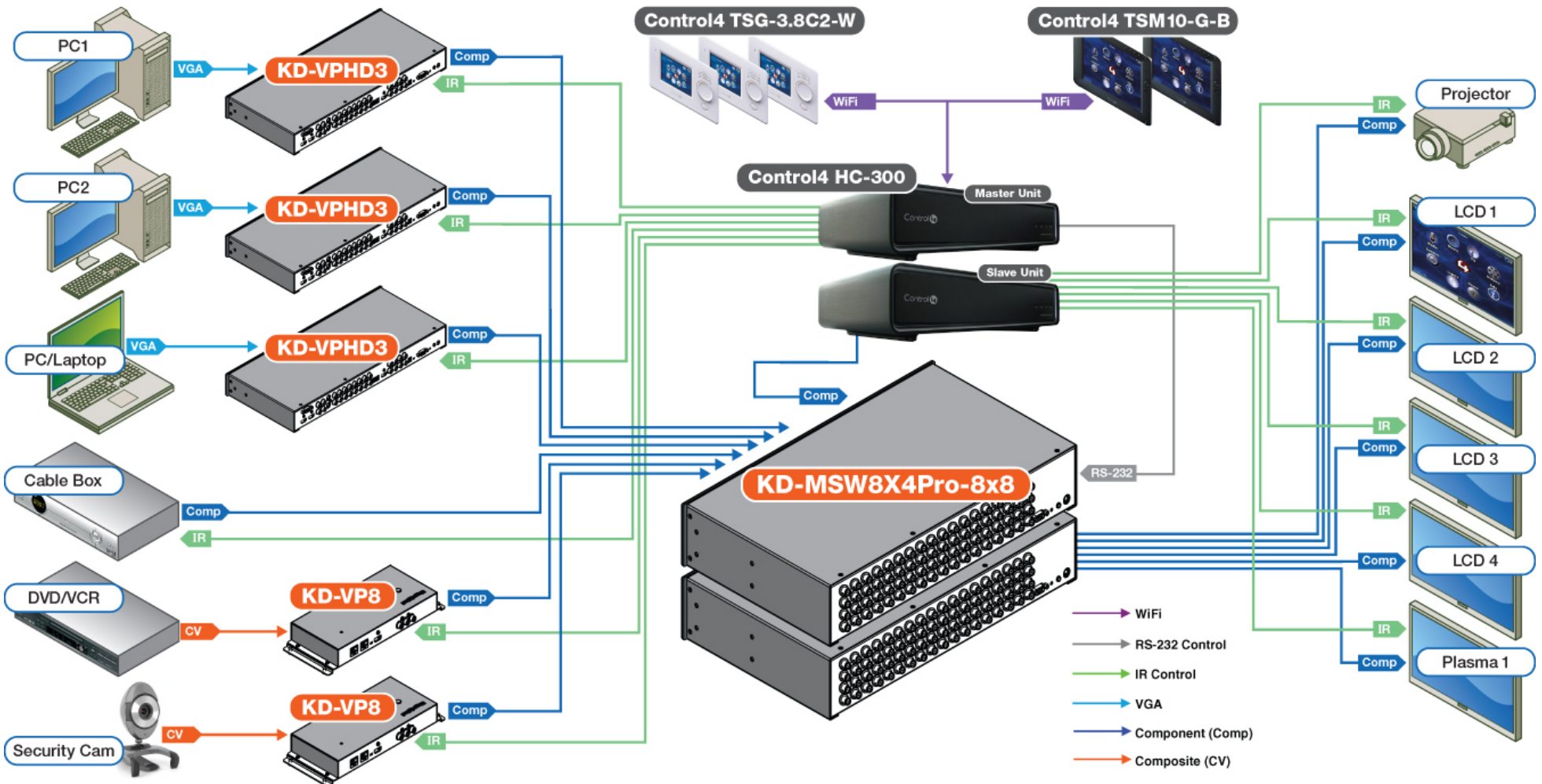


Residential SDG



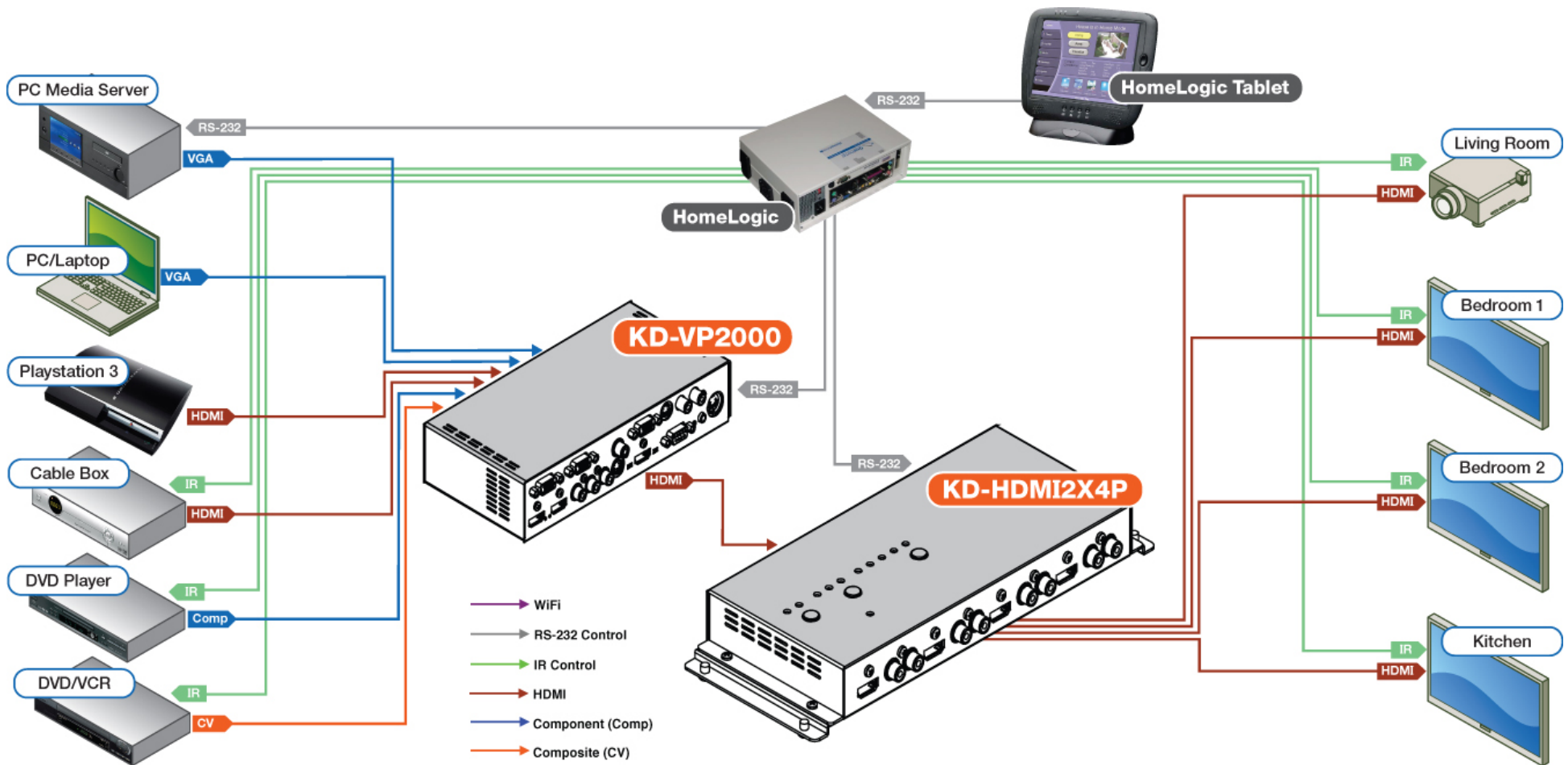


Commercial SDG



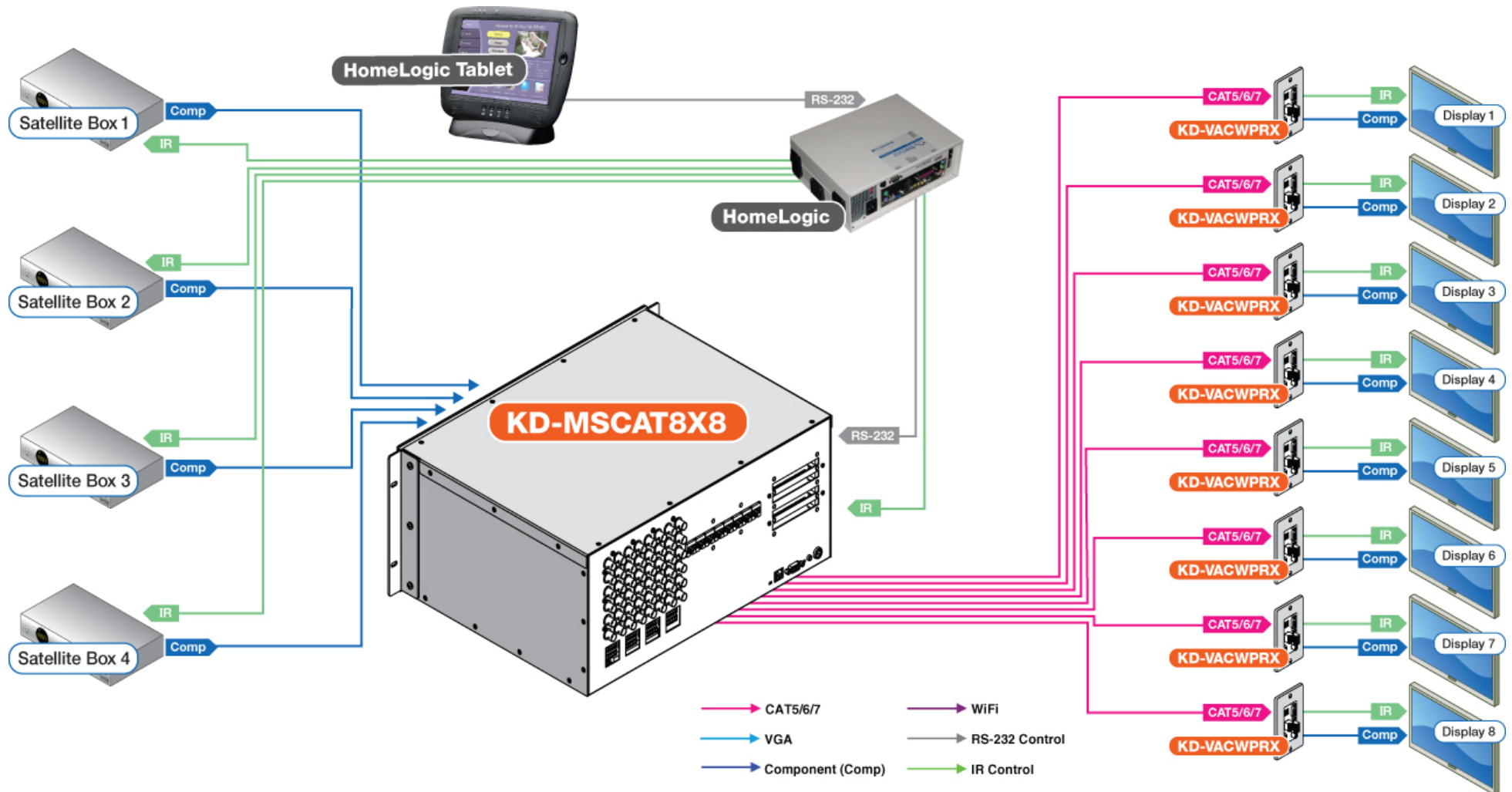


Residential SDG



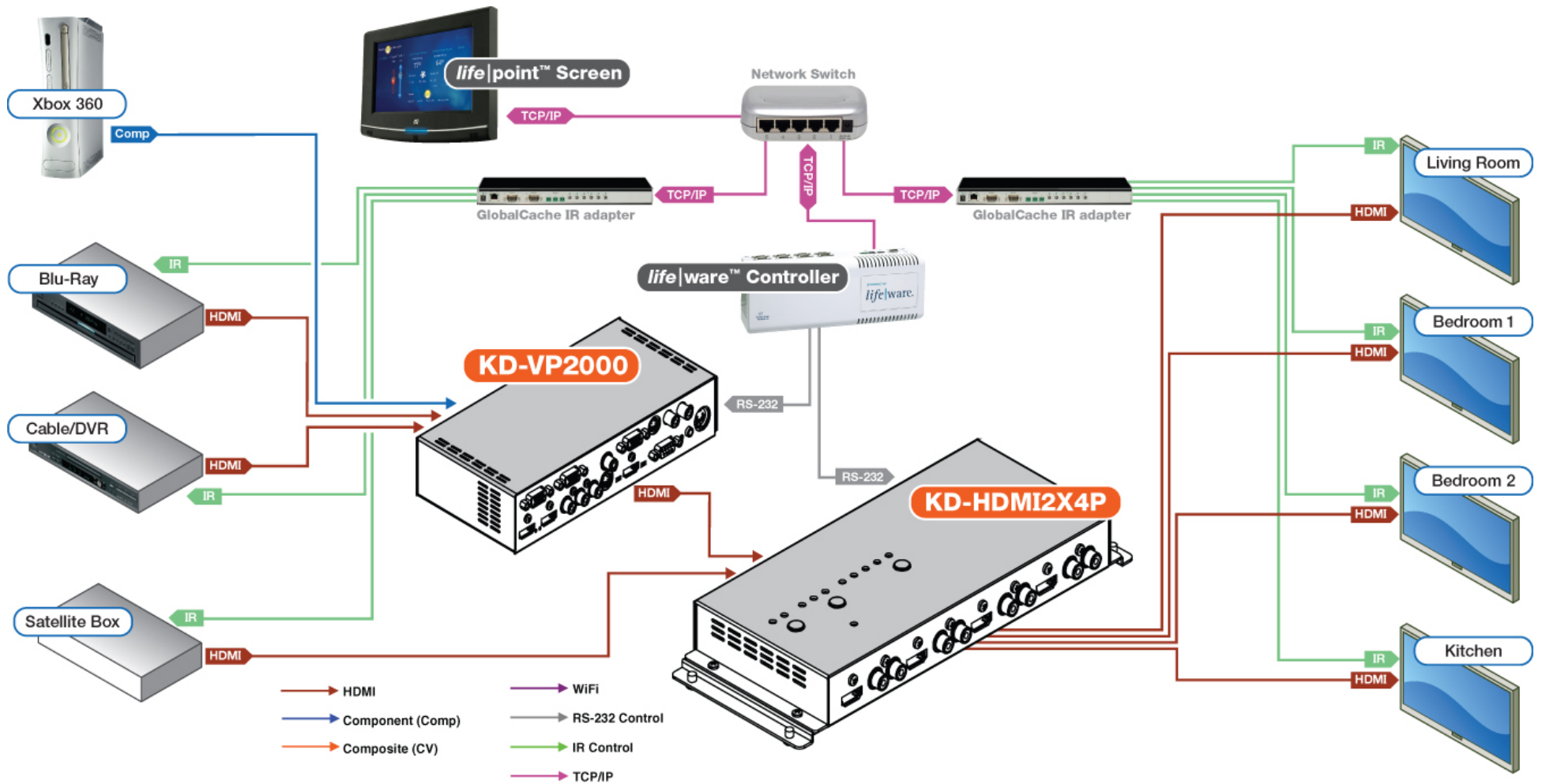


Commercial SDG



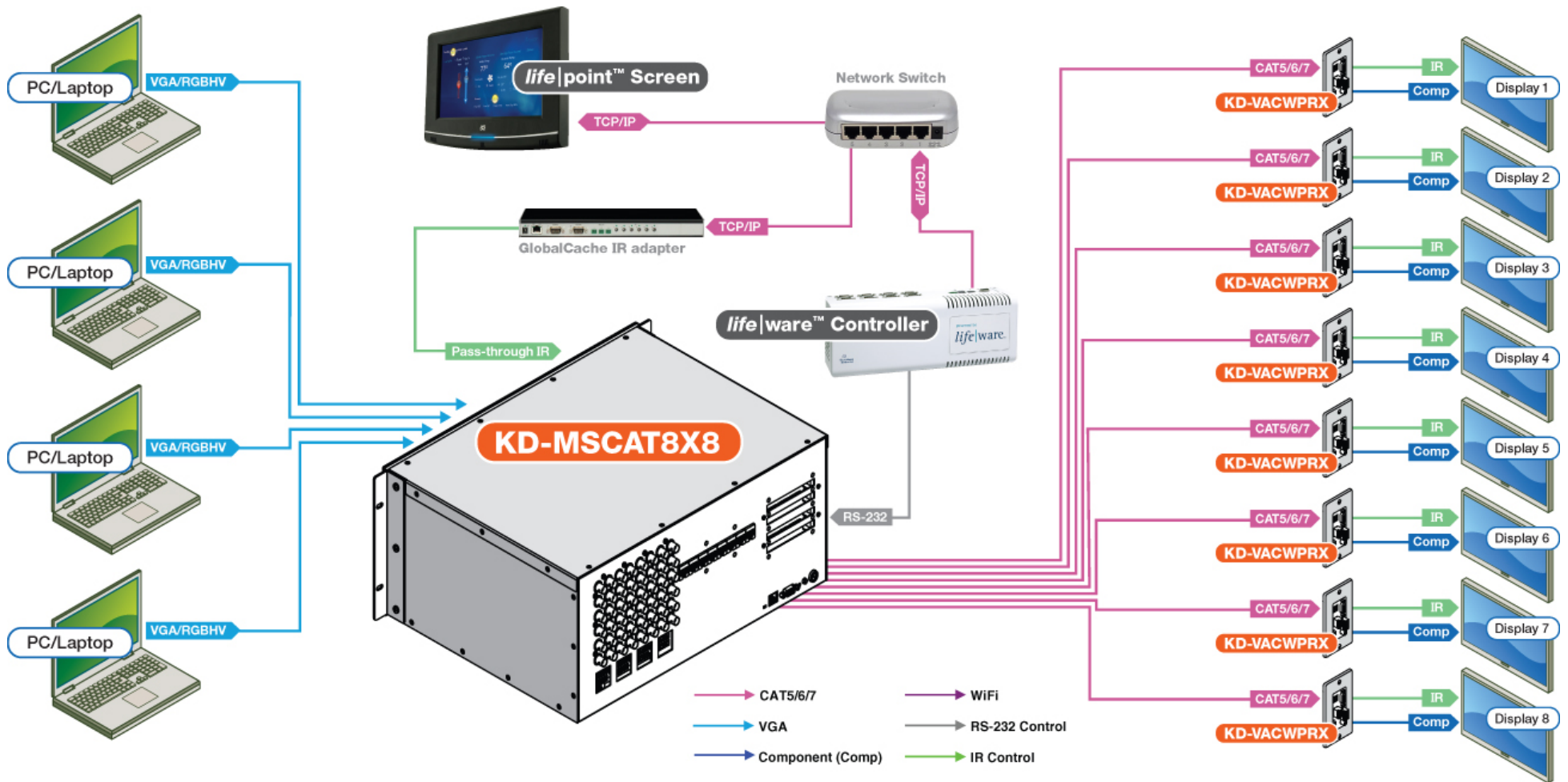


Residential SDG



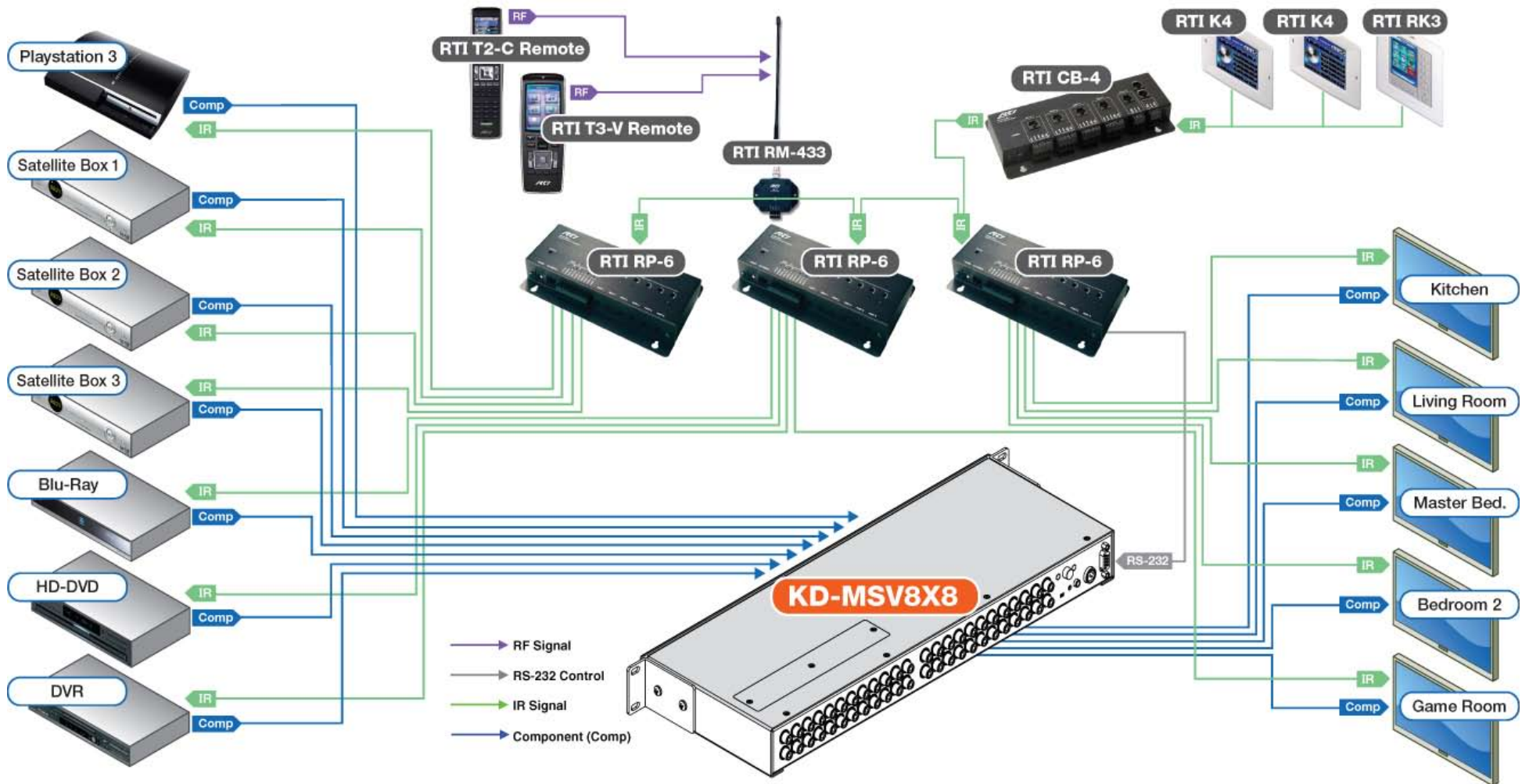


Commercial SDG



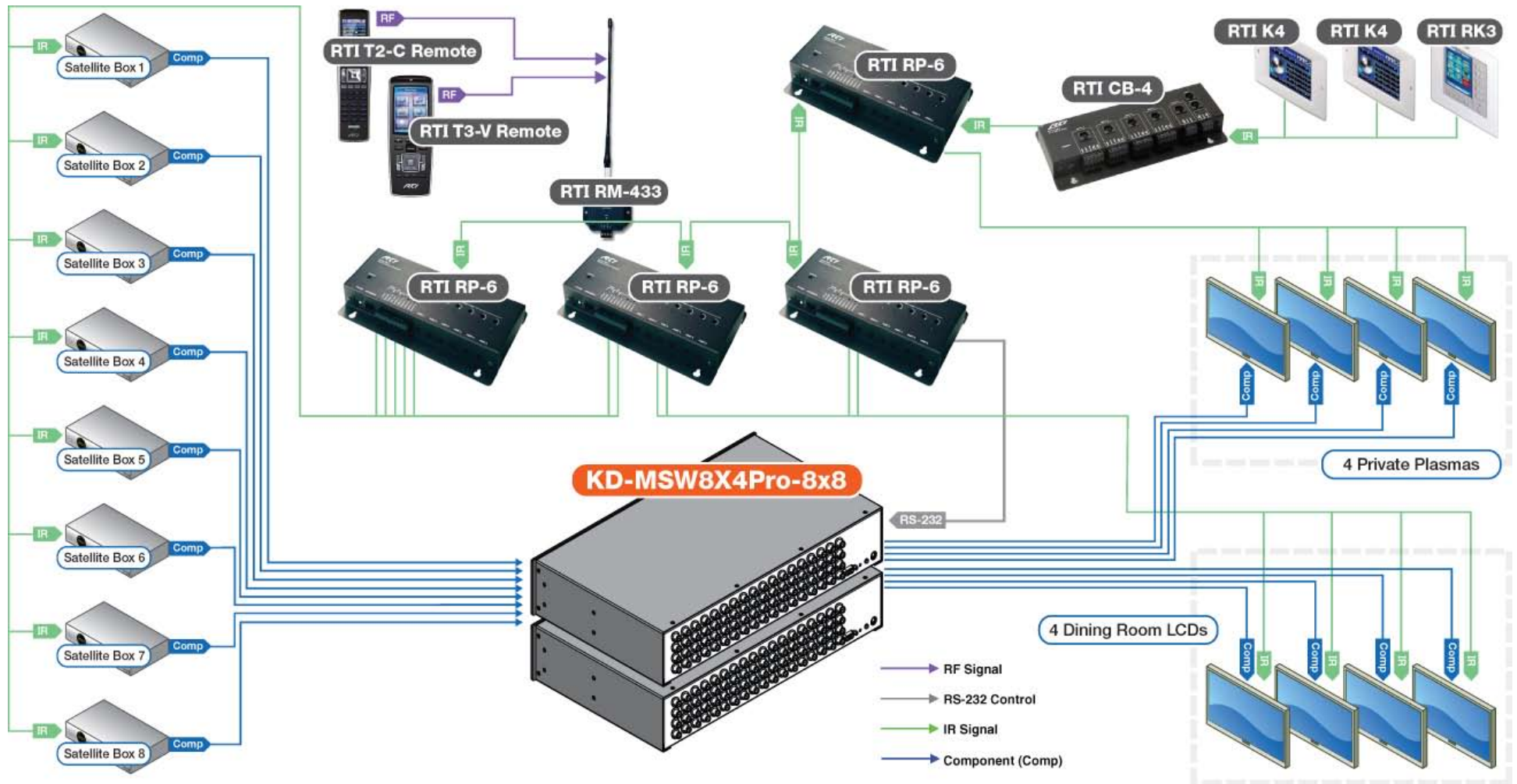


Residential SDG



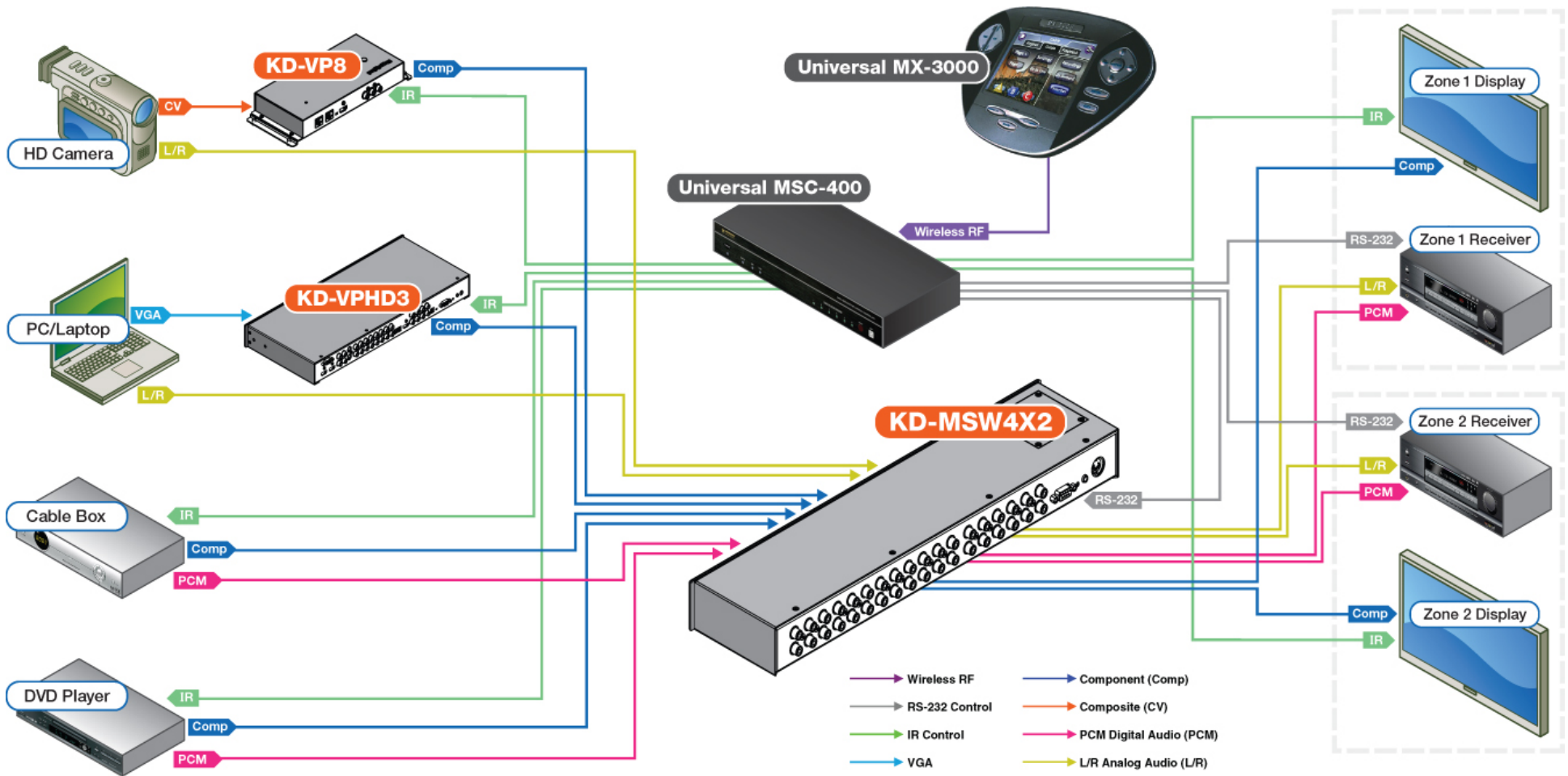


Commercial SDG



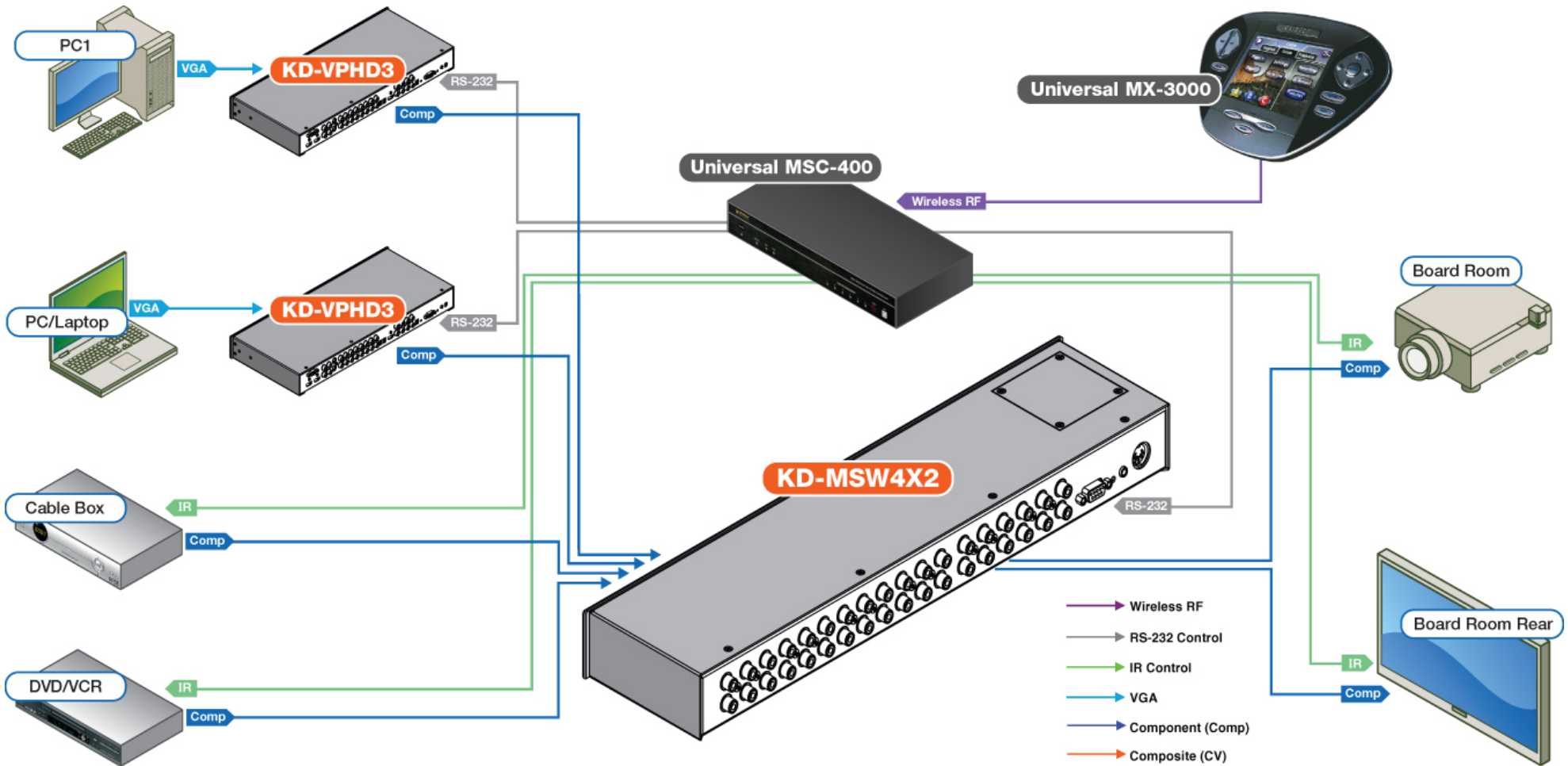


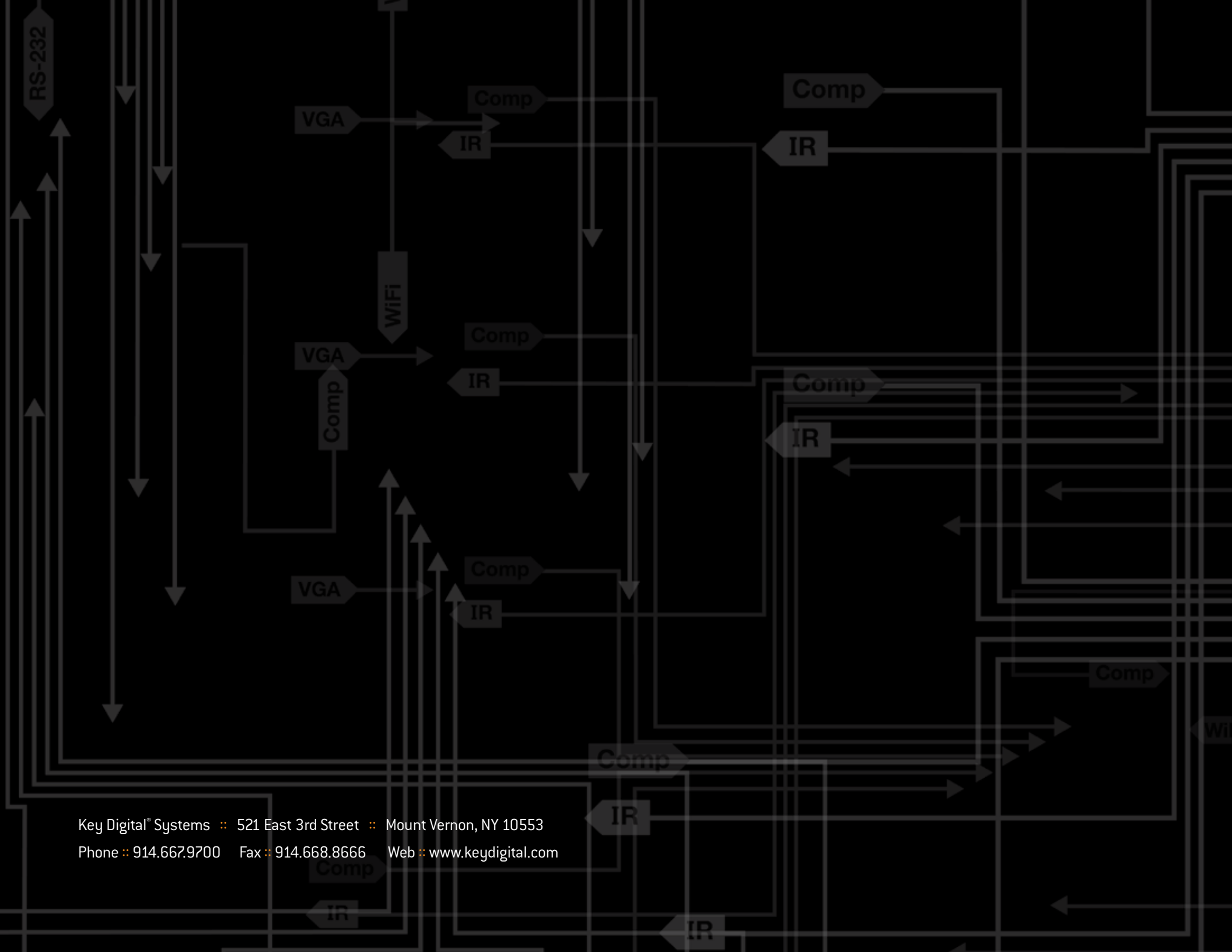
Residential SDG





Commercial SDG





Key Digital® Systems :: 521 East 3rd Street :: Mount Vernon, NY 10553
Phone :: 914.667.9700 Fax :: 914.668.8666 Web :: www.keydigital.com